

GAS POWERED BOSS G90W NAILER OWNER'S MANUAL



To reduce the risk of possible injury. User must read this manual before operate, handle, maintain this tool.
Please keep this manual in safe place for future reference.

Table of content

1.	General warning	3
	General safety warning	3
	Tool safety warning	3-4
	Fuel safety warning	5
	Battery safety warning	5
	Charger safety warning	5-6
2.	Operation instruction	6
	Load and unload the fuel cell	6
	Load and unload the fastener	6-7
	Depth of drive adjustment	7
	Actuate method and the steps to fire the tool	7
	Jam clearing for tool	8
	Charge the battery and LED on tool and charger	9
3.	Maintenance instruction	9
	General maintenance	9
	Lubrication and cleaning	9
	Cold weather	9
4.	Trouble shooting	10-11
5.	Declaration of conformity	12

1. General warning

General safety warning

- User must wear eye protection which conforms to ANSI specification with front and side protection against flying object; when handling, operating, and servicing the tool. It is employer's responsibility to enforce user and all other nearby personnel at worksite to wear eye protection when operating the tool.
- It is recommended to wear ear protection near or at the job site to prevent hearing damage.
- Beware of the danger of entangled clothe and hair. Do not dress loose clothing and jewelry at work. Keep you hair, clothing, and gloves away from moving part of the tool.
- Keep your finger **AWAY** from the trigger when the tool is not in use. This will prevent accidental fire of the tool.
- This tool is not designed to be used in explosive atmosphere. The design of this tool will generate spark and the exhaust will also cause possible danger to ignite highly flammable fuel or gas. Do not use this tool in this kind of environment. Please also not smoke while using or handling the tool and fuel cell.
- The fuel cell is high pressure liquefied gas bottle. Keep it away from spark, fire or high temp and explosive environment. Do not puncture the bottle or attempt to open the fuel cell. When the fuel used up, do not incinerate the bottle. Follow the recycle instruction on the bottle.
- Do not store the tool in temperature above 120°F(50°C). High temperature will result in explosion or fire and the release of flammable gas. When not in use, keep the tool from high temperature source or direct sun light.
- The tool needs to be used in well ventilated area. Do not inhale the exhaust or fume or the gas because they are potentially dangerous to human body.
- Keep body balance when operating the tool, do not over reach.
- Keep the tool, fuel, charger and battery out of the reach of children. The tool is dangerous in the hand of untrained person.

Tool safety warning

- Do not modify or repair the tool in any method other than the original design. The tool may function unexpectedly after the modification and cause dangerous.
- Never point the nozzle of the tool to anyone includes yourself. This tool is self-contained with power source and will be dangerous if not use with care. Always assume the tool is loaded with nail and fuel.

- Do not drive this tool over materials that is too hard or too soft. Hard material can ricochet nail and hurt people, soft material may be penetrate easily and cause the nail to free fly.
- Please use only lubrication liquid specified in this manual to perform the lubrication. Use other lubrication may cause damage to the tool and the risk of malfunction that will injure the operator.
- Please keep the tool in clean condition, wipe off grease or oil after work. Do not use any solvent based cleaner to clean the tool. It is possible the solvent will deteriorate the rubber or plastic components on the tool. Greasy handle and body will cause accidental drop of the tool and injury to nearby person.
- Please use fastener specified in this manual and on the tool. Use fastener that is not compatible to the tool will cause jamming of the tool and injury to operator or nearby person.
- Do not use the tool to perform other job than designate function. Especially not use the tool as a hammer, impact on the tool will increase the risk of cracked body and accidental discharge of fastener.
- Remove the fuel cell and battery before performing maintenance, repair, cleaning and jam clearing.
- Load the fastener at last to prevent unexpected danger of loading fuel cell and battery.
- Never use the tool if the trigger and safety or springs are damaged in any way.
- When fastening electrical cables, make sure the cables are not energized.
- Hold the tool only by insulated gripping surfaces. Use only fasteners designed for electrical cable installations. Inspect that the fastener has not damaged the insulation of the electrical cables. A fastener that damages the insulation of electric cables can lead to electric shock and fire hazards.

Fuel safety warning

- Use only the fuel cell recommended by the manufacturer. Read the Safety Data Sheet to understand more of your fuel cell contents.
- Recycle the empty fuel cell according to the local law. Do not attempt to recharge the fuel cell or incinerate the empty fuel cell.
- Do not expose the fuel cell or tools loaded with fuel cell under direct sun light exposure. Prevent to put above items at temperature higher than 120°F(50°C). Overheating the fuel cell can result in explosion or fire.
- Do not puncture or attempt to open the fuel cell. The fuel cell contains flammable gas even if it appears empty.
- The content of the fuel cell is extremely flammable, keep it away from all source of ignition.

Battery safety warning

- Use only batteries that are supplied by the manufacturer.
- Recycle the battery according to local law. Do not incinerate the battery or attempt to puncture and crush the battery.
- Do not immerse the battery into water or other fluid. Do not expose the battery to rain or snow.
- Do not expose the battery or tools loaded with battery under direct sun light exposure. Prevent to put above items at temperature higher than 120°F(50°C). Overheating the battery can result in explosion or fire.
- Do not allow direct contact of the battery nodes with metal or conductive material.
- Charge the batteries every 3 months even the tool is not used to prevent battery over-discharged over time.

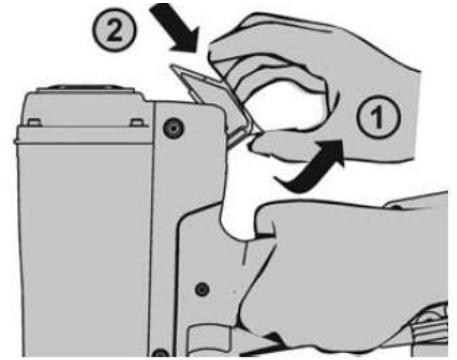
Charger safety warning

- Do not use the charger in explosive atmosphere. The electrical device is not designed to use in such environment.
- Do not charge battery outdoors or in temperatures below 40°F (5°C).
- Do not puncture or attempt to open battery case or cells.
- Do not immerse the charger into water or other fluid. Do not expose the charger under rain or snow.
- Do not use the charger if the cord is damaged or the charger is defect.
- Unplug the charger by pulling the adaptor unit, not by pulling the cord.
- Do not cover the charger with anything.
- Do not use a step up transformer or engine generator as the power source of the charger.
- Please charge the battery for at least 6 Hours before the first time use of the new battery.

2. Operation instruction

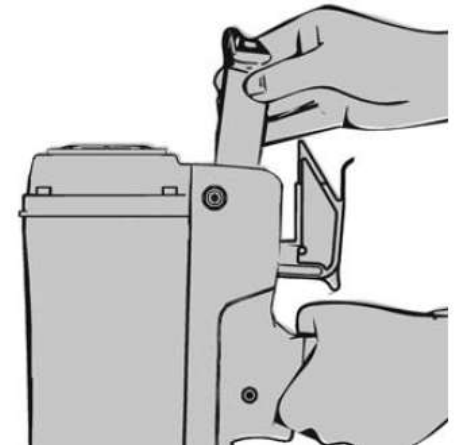
Load and unload the fuel cell

- Open the fuel cell door by pulling the door and rotate.
- Insert the fuel cell into the chamber.
- Align the fuel cell nozzle to the fuel stem on the tool.
- Close the fuel cell door.



Load and unload the fastener

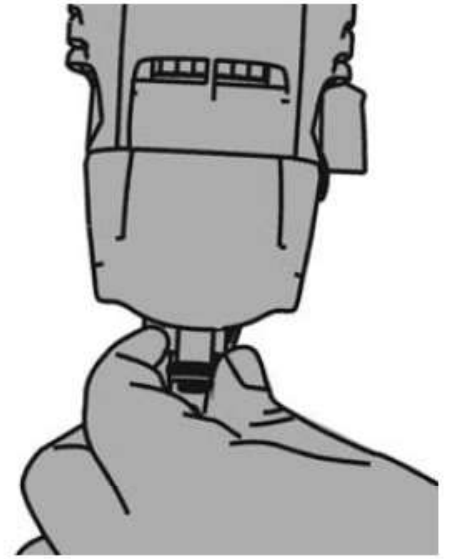
- Connect to battery and fuel cell before you load the fasteners. The tool had the chance to cycle once when connected to the battery. If you load the fastener before the battery connected, the fastener may be shoot out accidentally.
- Point the nozzle away from any personnel and keep your finger out of trigger when loading the fastener.
- To load the nail, slide in the nail strip into the magazine until the nail strip passed the nail stopper.
- Pull the pusher until it is beyond the stopper.
- Release the pusher to engage the nail strip and feed it into the nozzle.
- To unload the fastener from the magazine, press the release lever on the pusher and tilt the tool to slide the nail strip to the rear end of the magazine.



- Unload the nail strip by press the nail stopper and slide out the nail strip.
- For 3 steps magazine design, follow the same safety precaution and continue with following steps
- To load nail, pull the pusher to the rear until it is locked to the magazine at rear position.
- Slide nail strip into the magazine.
- Release the pusher to push the nail into the nozzle.
- To unload the fastener from the tool, pull the pusher to the rear locking position. Slide the nail out of the magazine.

Depth of drive adjustment

- This tool is equipped with tool free depth of drive adjustment. Test the depth of drive on scrap piece before you start your work.
- Turn the knob to adjust the depth of drive.
- Repeat above procedure until you find your desired depth of drive setting.

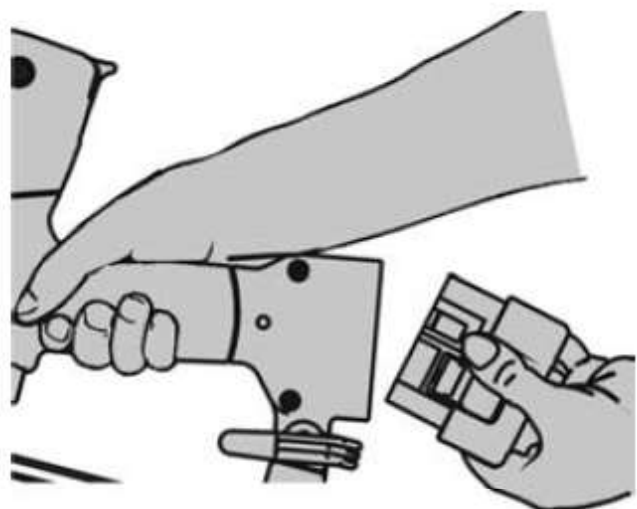


Actuate method and the steps to fire the tool

- This tool is equipped with single sequential trigger system only.
- To actuate the tool, depress the safety against the work piece, and then pull the trigger.
- To actuate the tool again, you will need to release the safety fully and release the trigger before you repeat above procedure.
- Make sure you are driving against work piece before you pull the trigger.

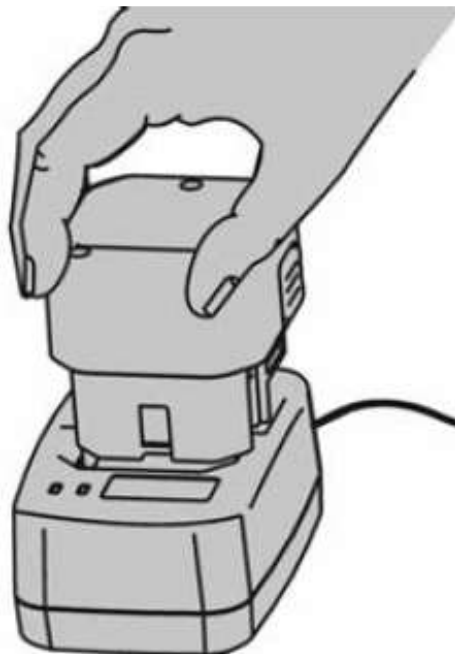
Jam clearing for tool

- In the case of nail jam, disconnect the power source (fuel cell and battery) before you perform any action.
If your tool is equipped with jam clear door, open the quick jam clear door on the side to expose the jammed nail.
If your tool is equipped with removable nozzle, press the release button and pull off the nozzle.
- Remove the jammed nail with needle nose pliers or similar type of tool. Do not use your hand to remove the nail.
- Close the jam clear door or assemble back the nozzle after you clear the jam.



Charge the battery and LED on tool and charger

- There is battery comes along with the tool. It will take 2 hours before the new battery can be fully charged.
- There will be no LED light when the charger is connected to electric and no battery is on the charger.
- The LED on the charger will turn red when it is charging a battery.
- The other LED will turn green when the battery is fully charged.
In the case of battery failure, the red and green LED will blink in sequence.
- When the tool is connected to a charged battery, the LED indicator on the tool will turn green.
If the tool is running out of battery, the indicator LED will turn red. When the LED indicator turns red, stop using the tool and replace the battery.



3. Maintenance instruction

Warning: disconnect the power source (fuel cell and battery) before performing any maintenance

General maintenance

- Keep the tool in clean condition at all times. Wipe off grease or oil with dry clean cloth to prevent accidental tool drop. Avoid to use solvent base cleaner to clean the tool, certain solvent will damage or weaken the composite parts of the tool.
- Clean the intake filter regularly to keep the tool in full efficiency.

Lubrication and cleaning

- This tool should not need extra lubrication since the fuel already contains some lubrication oil.
- The combustion chamber and cylinder can be cleaned by applying automobile carburetor cleaner. You will need to remove the 2 screw on the handle and 4 screws on the top cap to expose the internal component of cylinder.

Cold weather

- This tool is not suggested to be used in cold winter. The cold weather will decrease the combustion efficiency and also the battery performance. Use the tool only at temperature above : -7°C (19°F).

4. Trouble shooting

symptom	Counter measures
Red LED indicator light is on and the tool did not operate.	<ul style="list-style-type: none"> • Battery charge might be too low. • Replace battery with a fully charged one.
Tool operates normally but did not drive the nails to flush.	<ul style="list-style-type: none"> • If the number of remaining nails is 5, insert another strip • Adjust the depth of drive setting to deep. • Clean the cylinder with proper cleaner. • Check fuel cell and replace as required. • Depress the safety and hold for 1 minute before activate the trigger. If the tool did not fire, there might be seal leaking over the combustion chamber. Send to service center near you.
Fan does not run and the indicator light is red.	<ul style="list-style-type: none"> • The battery is out. Replace the battery with a fully charged one. • The battery node is dirty or oily. Clean the battery node with clean cloth. • If all above did not work, send to service center near you.
Battery does not accept charge or the charger get hot when charging.	<ul style="list-style-type: none"> • Replace the battery. If this action corrects the problem, the battery is damaged or exhausted. • Replace the charger if the battery works fine on tool but can not be charged on charger..
Charger get hot, make noise or start to smoke	<ul style="list-style-type: none"> • The charger is damaged and should not be used any more. Unplug the charger immediately and replace it with a new charger.
Work contact element is not fully depressed and the tool can not be used.	<ul style="list-style-type: none"> • The work contact element is bend or the track of the safety mechanism is sticky to the dirt build up. Clean the safety track. Repair or replace the work contact element. • Lock out mechanism is active. Load more nails.

symptom	Counter measures
Tool will not cycle, the indicator LED is green and the fan runs.	<ul style="list-style-type: none"> • Run out of fuel, replace a new fuel cell. • Spark wire is loose, check the spark wire by removing the cap. • Spark plug is dirty. Clean the spark plug. • If all above did not work, send to service center near you.
Tool operate normally, but no nail is driven	<ul style="list-style-type: none"> • Wrong type of nails was used. Please change to correct nail spec. • The cylinder needs cleaning. • Nail is jammed, clean the jammed nail before use. • The nail pusher did not engage properly with the nail strip. Adjust to fully engagement.
Combustion chamber is not returning to start position.	<ul style="list-style-type: none"> • The work contact element is bending or dirty. <p>Check the work contact element and repair or replace it. Clean the safety track.</p>
Driver did not return to initial position, miss fire frequency get higher than usual.	<ul style="list-style-type: none"> • Check and replace fuel cell. • Clean the tool with proper cleaning fluid. • Check for piston ring wear status. • The tool maybe over heated. Clean or replace the intake air filter.
Tool appears to be loosing power.	<ul style="list-style-type: none"> • Check fuel cell. • Clean or replace air intake filter. • Check spark plug wire. • Clean the tool with proper cleaning fluid.
For failure other than above situation, please stop using the tool and contact your local dealer for service.	

Gas nailer

1. Fastener type and size
 - Nail shank : 2.9~3.3mm
 - Nail length : 50~90 mm
 - Collation type : paper collation
 - Nail strip angle : 34°
 - Magazine capacity : 2nail strips, or 60 nails
2. Tool spec
 - Model number : BOSS G-90W
 - Type of tool : Gas Nailer for wood
 - Dimension(LxWxH) : 374 × 108 × 378mm
 - Weight of tool : 3.42 Kg(7.5lb) with battery
 - Shot limit : 1000 shots/hour
 - Drive rate : 2-3shots/sec
 - Rated input : 220-240 Vac, 50 Hz, 1A
 - Charge time of battery : 120mins
 - Battery voltage : 6 Volt
 - Shots per Charge : 4500shots
 - Shots per fuel : 1200shots
 - Usable temperature : -7C°~50C°
 - Applications & suitability : Structure building. Framing.
 - Actuating system (safety joke installed) : full sequential only
 - Trigger device : Finger activated trigger.
3. Noise and vibration data
 - Noise characteristic values in accordance with EN 12549+A1
 - A-weighted sound pressure level at workstation : 94.5 dB
 - A-weighted sound power level : 96.4 dB
 - Peak C-weighted instantaneous sound pressure level at workstation: < 130 dB
 - Vibration value according to ISO 8662-11+A1 : 3.36 m/s²
 - Measurement uncertainty (Standard) : 1.68 m/s²

Declaration of Conformity

We

Bossong S.p.A.
Via Enrico Fermi 49/51
24050 Grassobbio (Bergamo) ITALY
Tel. +39 035 3846 011
Gas Nailer for wood BOSS G-90W

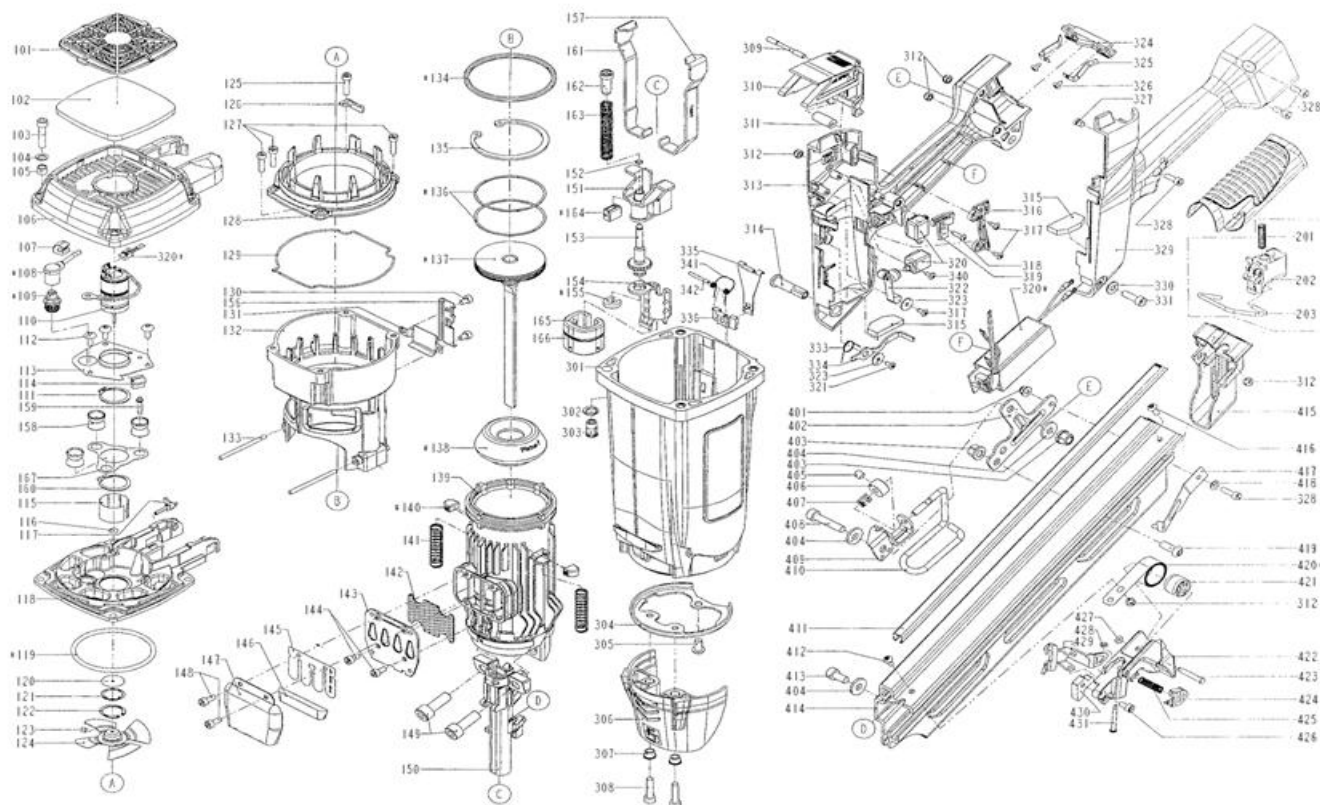
declare under our sole
responsibility that the
conforms with the directive
and the standards

2006/42/EC (MSD) , 2006/95/EC (LVD) , 2004/108/EC (EMC)
2011/65/EU (RoHS)
EN ISO 12100,EN 792-13+A1,
EN 12549+A1,ISO8662-11+A1
EN 60745-1 , EN 60745-2-16 , EN 55014-1 , EN 55014-2+ A2
EN 61000-3-2 , EN 61000-3-3 , EN 50581
EN 60335-1 , EN 60335-2-29 , EN 62233
EN 61558-1 , EN 61558-2-1

Numero di serie:

Firmato:


Andrea Taddei - Direttore generale



Repère	Code	Français	English	Deutsch	Español	Romana
101	12B02577	défecteur	deflector	Leitblech	Deflector	Deflector
102	12B02539	Filtre	Filter	Filter	Filtro	Filtreaza
103	12B00780	Boulon	Bolt	Kopfschraube	Perno	Bolt
104	12B00834	joint plat	O-ring	O-ring	Junta	Garnitura
105	12B02540	Bague	Collar	Ring	Manguito	Inel
106	12B02541	tête	Cap	Deckel	Tapa	Capac
107	12B02542	Crochet	Bracket	Haken	Gancho	Carlig
108	12B02543	Anti-parasite	High voltage cable set	Hochspannungs-Kabel-Set	alto voltaje juego cables	cablu de înaltă tens set
109	12B02544	Bougie allumage	Spakler unit	Wunderkerze Einheit	unidad de bengala	sparkler unitate
110	12B02545	Moteur	Motor	Motor	Motor	Motor
111	12B02546	joint	O-ring	O-ring	Junta	Garnitura
112	12B02547	Vis	screw	Schraube	Tornillo	Surub
113	12B02548	socle	rear plate	socket	Zocalò	Bazà
114	12B02549	Crochet	Bracket	Haken	Gancho	Carlig
115	12B02550	Manchon moteur	Sleeve motor	Muffe	Manguito	Manchon
116	12B02551	rondelle	Ring	Scheibe	Arandela	Saiba
117	12B02552	Tige	Stem	Stängel	Varilla	Regleta
118	12B02553	Culasse	End cap comb, chamber	Zylinderkopf	recámara	pelviană
119	12B02554	joint	O-ring	O-ring	Junta	Garnitura
120	12B02555	joint	O-ring	O-ring	Junta	Garnitura
121	12B02556	joint	O-ring	O-ring	Junta	Garnitura
122	12B02557	joint	O-ring	O-ring	Junta	Garnitura
123	12B02558	Vis	screw	Schraube	Tornillo	Surub
124	12B02559	Ventilateur	Cooling fan assembly	Lüfter	Ventilador	Ventilator
125	12B02560	Vis	screw	Schraube	Tornillo	Surub
126	12B02561	guide	Driver unit	Führer	Guía	Ghidaj
127	12B02562	Vis	screw	Schraube	Tornillo	Surub
128	12B02563	Chambre de comb sup	Upper comb. chamber	Superior Brennkammer	cámara de comb. sup	superior camerei ardere
129	12B02564		PACKING			
130	12B01822	Vis	screw	Schraube	Tornillo	Surub
131	12B02565	rondelle	Ring	Scheibe	Arandela	Saiba
132	12B02566	Chambre de comb	Combustion chamber	Brennkammer	Camara de combustion	Camerei de ardere
133	12B02567	Goupille	Pin	Stift	Clavija	Zavor
134	12B02568	joint	O-ring	O-ring	Junta	Garnitura
135	12B02569	joint	O-ring	O-ring	Junta	Garnitura
136	12B02570	joint de piston	Piston O-ring	Kolben O-ring	Junta del piston	Garnitura
137	12B02571	guide	Driver unit	Führer	Guía	Ghidaj
138	12B02572	amortisseur	Bumper	Puffer	amortiguador	Amortizor
139	12B02573	cylindre	cylinder	Zylinder	cilindro	Cilindru
140	12B02574	amortisseur	Bumper	Puffer	amortiguador	Amortizor
141	12B02575	Ressort de sécurité	Safety spring	sicherungsFeder	Muelle de seguridad	Arc de siguranta
142	12B02576	socle	rear plate	socket	Zocalò	Bazà
143	12B02578		EXHAUST BAFFLE			
144	12B02579	Vis	screw	Schraube	Tornillo	Surub
145	12B02580	Valve	Valve	Ventil	Valvula	Valva
146	12B02581		CLEANER			
147	12B02582	défecteur	deflector	Leitblech	Deflector	Deflector
148	12B02663	Vis	screw	Schraube	Tornillo	Surub
149	12B02583	Vis	screw	Schraube	Tornillo	Surub
150	12B02584	nez	Nose	Nase	Morro	Nas
151	12B02585	sécurité B	Safety B	Sicherheit B	Seguridad B	Sigurante

152	12B02586	écrou	Screw nut	Mutter	Tuerca	Piulita
153	12B02587	axe d'ajustement	Adjust axie	Achseanpassung	Eje de Ajuste	Axa de ajustaje
154	12B02588	sécurité A	Safety A	Sicherungseinheit	Unidad de seguridad	Sigurante
155	12B02589	joint	O-ring	O-ring	Junta	Garnitura
156	12B02590	poussoir	trigger	Ausloser	pulsador	secundor
157	12B02591	Sécurité C gauche	Safety C gauche	Sicherung C links	Seguridad C a la izquierda	Siguranta C stanga
158	12B02592	amortisseur	Bumper	Puffer	amortiguador	Amortizor
159	12B02593	Manche	Shaft	Griff	Mango	Manipula
160	12B02594	joint	O-ring	O-ring	Junta	Garnitura
161	12B02595	Sécurité C droite	Safety C right	Sicherung C rechts	Seguridad C a la derecha	Siguranta dreapta
162	12B02596	Tige de sécurité	Safety rod	Sicherheitstange	Barra de seguridad	Tija de siguranta
163	12B02597	Ressort de sécurité	Safety spring	sicherungsFeder	Muelle de seguridad	Arc de siguranta
164	12B02598	amortisseur	Bumper	Puffer	amortiguador	Amortizor
165	12B02599	Embout	Protective casing	Endabdeckung	Contera	Sfat
166	12B02600	anneau	Ring	Scheibe	Arandela	Saiba
167	12B02601	Entretoise	Spacer	Abstandshalter	Tirante	Spacer
201	12B02602	ressort	Spring	Feder	Muelle	Arc
202	12B02603	gâchette	Trigger	Drücker	Gatillo	Opritor
203	12B02604	Sécurité	Safety	Sicherung	Seguridad	Siguranta
301	12B02605	corps	Body	Gehäuse	Cuerpo	Corp
302	12B02606	tête	Cap	Deckel	Tapa	Capac
303	12B02607	Insert	Cap nut	Einsatz	Inserto	Insera
304	12B02608	Crochet	Bracket	Haken	Gancho	Carlig
305	12B02609	Boulon	Bolt	Kopfschraube	Perno	Bolt
306	12B02610	Couvre sécurité	Safety cover	Sicherungsdeckel	Tapadera de seguridad	Capac de sigurante
307	12B02611	Couvercle	Cover	Deckel	tapadera	Capac
308	12B01138	Vis	screw	Schraube	Tornillo	Surub
309	12B02612	Goupille	Pin	Stift	Clavija	Zavor
310	12B02613	Actionneur de carburant	Fuel actuator	Antrieb Kraftstoff	Actuador de combustible	Actionare de comb.
311	12B02614	Douille	Bush	Buchse	Enchufe	Priza
312	12B00048	Boulon	Bolt	Kopfschraube	Perno	Bolt
313	12B02615	Poignée A	Handle A	Griff A	Picaporte A	Mânui A
314	12B02616	Boulon poignée	Handle Bolt	Griffkopfschraube	Perno para picaporte	Bolt di mânui
315	12B02617	Entretoise	Spacer	Abstandshalter	Tirante	Spacer
316	12B02618	Crochet	Bracket	Haken	Gancho	Carlig
317	12B02619	Boulon	Bolt	Kopfschraube	Perno	Bolt
318	12B02620	Boulon	Bolt	Kopfschraube	Perno	Bolt
319	12B02621	guide	Driver unit	Führer	Guia	Ghidaj
320	12B02622	Unité centrage	PCB ASSEMBLY	Zentriereinheit	Unidad de centrado	centrare unitate
321	12B02623	Boulon	Bolt	Kopfschraube	Perno	Bolt
322	12B02624	levier	Lever	Hebel	Palanca	Impagatot
323	12B01595	rondelle	Ring	Scheibe	Arandela	Saiba
324	12B02626	Crochet	Bracket	Haken	Gancho	Carlig
325	12B02627		BATTERY NODE			
326	12B00046	Boulon	Bolt	Kopfschraube	Perno	Bolt
327	12B02628	Voyant	Led cover	Anzeige	Piloto	văzând
328	12B01054	Vis	screw	Schraube	Tornillo	Surub
329	12B02629	Poignée B	Handle B	Griff B	Picaporte B	Mânui B
330	12B00787	rondelle	Ring	Scheibe	Arandela	Saiba
331	12B02630	Vis	screw	Schraube	Tornillo	Surub
333	12B02631	ressort A	Spring A	Feder A	Muelle A	Arc A
334	12B02632	Pièce de liaison	Link rod	Stützen	pieza de conexión	piesă de conectare
335	12B02633	Stoppeur	Stopper	Vorstopper	Zurcidor	Opritor
336	12B02634	ressort	Spring	Feder	Muelle	Arc
340	12B02635	Vis	screw	Schraube	Tornillo	Surub
341	12B02636	ressort	Spring	Feder	Muelle	Arc
342	12B00015	ressort	Spring	Feder	Muelle	Arc
401	12B02637	tête	Cap	Deckel	Tapa	Capac
402	12B02638	Crochet	Bracket	Haken	Gancho	Carlig
403	12B00567	tête	Cap	Deckel	Tapa	Capac
404	12B02639	Rondelle plate	Flat washer	Scheibe	Arandela	Saiba
405	12B01129	Vis	screw	Schraube	Tornillo	Surub
406	12B02640	Axe	Axie	Achse	Eje	Axa
407	12B02641	ressort	Spring	Feder	Muelle	Arc
408	12B02642	Vis	screw	Schraube	Tornillo	Surub
409	12B02643	Crochet	Bracket	Haken	Gancho	Carlig
410	12B02644	ressort	Spring	Feder	Muelle	Arc
411	12B02645		STEEL CHANNEL			
412	12B02646	Boulon	Bolt	Kopfschraube	Perno	Bolt
413	12B02647	Vis	screw	Schraube	Tornillo	Surub
414	12B02648	magasin A	Magazine A	Magazin A	Almacen A	Magazie A
415	12B02649	Couvercle	Cover	Deckel	tapadera	Capac
416	12B00108	Vis	screw	Schraube	Tornillo	Surub
417	12B02651	plaque avant	Drive guide cover	schaltlatt	placa	placa
418	12B02652	Joint	Gasket	O-ring	Junta	Garnitura
419	12B02653	Vis	screw	Schraube	Tornillo	Surub
420	12B02650	ressort	Spring	Feder	Muelle	Arc
421	12B00707	Element roulant	Rolling piece	Rollendes material	Pieza rodando	material rulant
422	12B02654	Couvercle	Cover	Deckel	tapadera	Capac
423	12B02655	Goupille	Pin	Stift	Clavija	Zavor
424	12B02656	protection	Protection	Sicherheit	Proteccion	Sigurante
425	12B02657	ressort	Spring	Feder	Muelle	Arc
426	12B00676	Vis	screw	Schraube	Tornillo	Surub
427	12B00368		PU RETAINER			
428	12B00096		URETHANE RETAINER			
429	12B02658	poussoir	trigger	Ausloser	pulsador	secundor
430	12B02659		SQUARE UNITS			
431	12B00161	pivot	Pivot	Drehachse	Pivote	Pivot